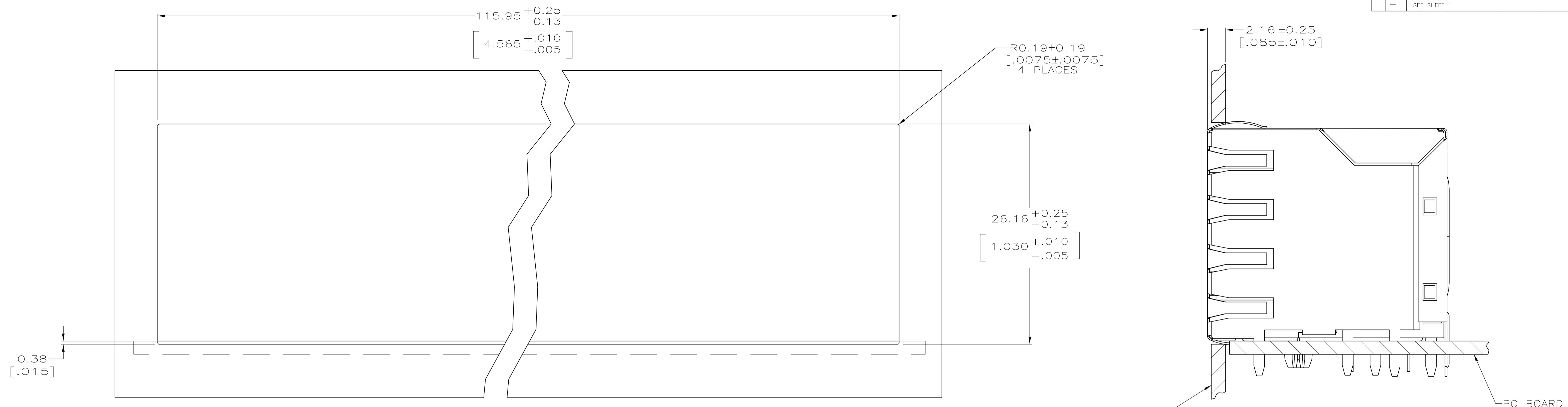
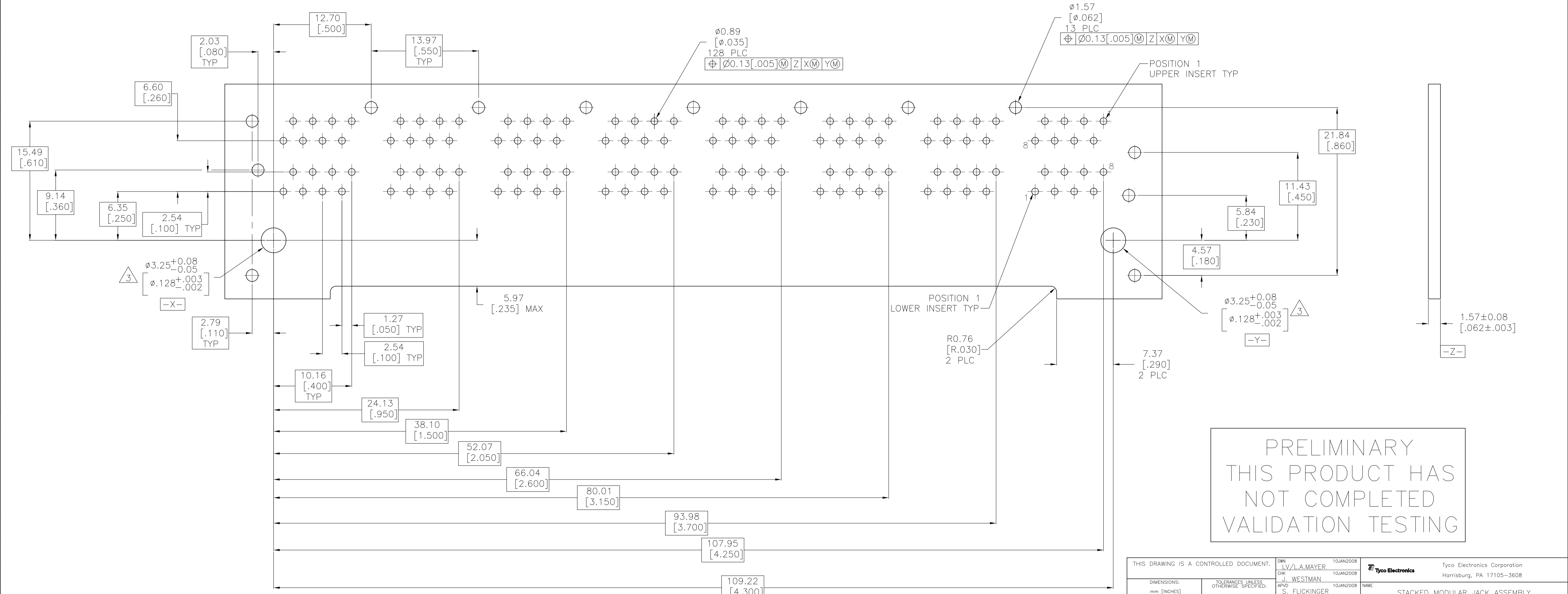


- MATERIAL: HOUSING - PCT POLYESTER, BLACK, UL 94V-0. OVERMOLDED TERMINAL ARRAY - HIGH TEMPERATURE NYLON, COLOR: NATURAL. TERMINALS - 0.33[.013] THICK PHOS BRONZE PLATED WITH 1.27um[.000050] MIN THICK HARD GOLD IN LOCALIZED AREA AND 3.81um[.000150] MIN THICK MATTE TIN IN SOLDER AREA OVER 1.27um[.000050] MIN THICK NICKEL UNDERPLATE. SHIELD - 0.196[.0077] THICK COPPER ALLOY PLATED WITH SATIN NICKEL 1.27um[.000050] MIN THICK OVERALL AND 2.03um[.000080] MIN THICK HOT TIN DIP ON PCB GROUND TABS.
- JACK CAVITY CONFORMS TO FCC RULES AND REGULATIONS, PART 68 SUBPART F.
- USE 3.25mm OR #30 DRILL BIT WHEN PRODUCING THESE PCB HOLES.
- DATE CODE LOCATED ON REAR OF PART APPROXIMATELY AS SHOWN: FIRST 2 DIGITS ARE LAST 2 DIGITS OF YEAR, SECOND 2 DIGITS ARE MANUFACTURING WORK WEEK, LAST DIGIT IS DAY OF WEEK WITH SUNDAY = 1.
- PARTS PACKAGED IN SEALED BAGS WITH DESICCANT
- PARTS SUITABLE FOR LEAD FREE REFLOW PROCESSING TO 260° C
- THE PART NUMBER HAS NOT COMPLETED VALIDATION TESTING, THE STATUS IS PRELIMINARY.

THIS DRAWING IS A CONTROLLED DOCUMENT.		OWN: L.V./L.A. MAYER 10JAN2008	Tyco Electronics Corporation Harrisburg, PA 17105-3608
		CHK: J. WESTMAN 10JAN2008	
DIMENSIONS: mm [INCHES]		APVD: S. FLICKINGER 10JAN2008	NAME: STACKED MODULAR JACK ASSEMBLY 2x8 PORT, 8 POSITION, SHIELDED, WAVE PANEL GROUND, CATEGORY 5
TOLERANCES UNLESS OTHERWISE SPECIFIED:		PRODUCT SPEC: 108-1163-2	SIZE: A1
0 PLC ± -		APPLICATION SPEC: 114-2048	CAGE CODE: 00779
1 PLC ± -		ANGLES ± -	DRAWING NO: 2007372
2 PLC ± 0.25[.01]		FINISH: SEE NOTE 1	SCALE: 4:1
3 PLC ± 0.13[.005]		MATERIAL: SEE NOTE 1	SHEET: 1 OF 2
4 PLC ± -		REVISIONS: A1	REV: A1
CUSTOMER DRAWING		2007372-1 PART NUMBER	



RECOMMENDED PANEL CUTOUT DIMENSIONS



PC BOARD LAYOUT  
(VIEWED FROM COMPONENT SIDE)

PRELIMINARY  
 THIS PRODUCT HAS  
 NOT COMPLETED  
 VALIDATION TESTING

THIS DRAWING IS A CONTROLLED DOCUMENT.		DIN	LV/LAMAYER	10JAN2008	Tyco Electronics Corporation Harrisburg, PA 17105-3608
DIMENSIONS: mm [INCHES]		CHK	J. WESTMAN	10JAN2008	
TOLERANCES UNLESS OTHERWISE SPECIFIED:		APVD	S. FLICKINGER	10JAN2008	NAME STACKED MODULAR JACK ASSEMBLY 2x8 PORT, 8 POSITION, SHIELDED, WAVE PANEL GROUND, CATEGORY 5
0 PLC	± -	PRODUCT SPEC	108-1163-2	APPLICATION SPEC	
1 PLC	± -	SIZE	114-2048	RESTRICTED TO	
2 PLC	± 0.25[.01]	SCALE	4:1	SHEET	
3 PLC	± 0.13[.005]	WEIGHT	A1	2 OF 2	
4 PLC	± -	CUSTOMER DRAWING	00779	REV	
ANGLES	± -	SCALE	4:1	REV	
SEE NOTE 1	SEE NOTE 1	SCALE	4:1	REV	